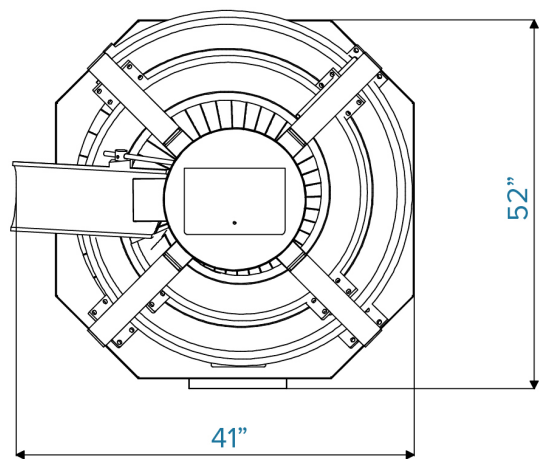
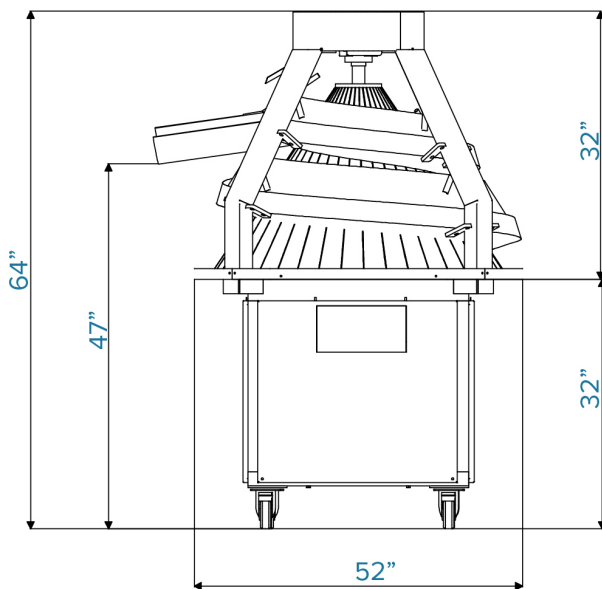


INDUSTRIAL CONICAL ROUNDER

Adding to its efficiency, the Conical Rounder is equipped with a newly designed mechanical flour duster that operates silently during its working process. The standard rounding channels extend to 15 ft. in length. We offer three types, each catering to specific weight operation ranges: 2 oz - 7 oz, 4 oz - 21 oz, and 4 oz - 42 oz. For the Industrial Conical Rounder, the rounding weight operation range is specified as 3 oz - 44 oz. This ensures versatility and precision in the rounding process to meet varied production needs.



MODEL	DOUGH WEIGHT	POWER	MAX. CAPACITY	DIMENSIONS W x D x H	WEIGHT
BH-ICR-600	3oz - 44oz	208V - 3Ph 60Hz - 4.5AMPS	3600 per hour	47" x 47" x 57"	1322 lbs