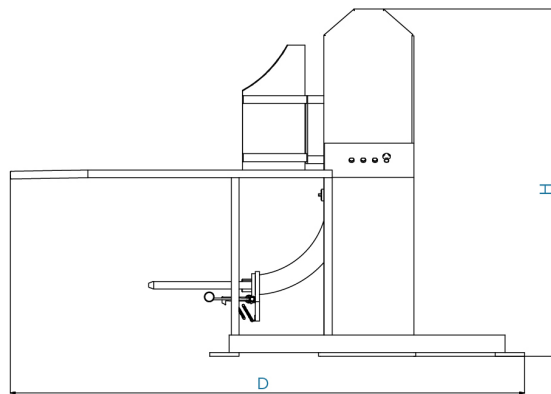
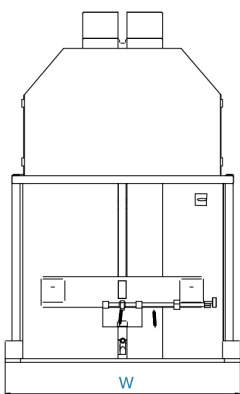


TILT OVER SPIRAL MIXER/ REMOVABLE BOWL



Our Lift Over Bowl or Mixer is engineered for precision and efficiency, available in both right-lifting and left-lifting versions for your convenience. Whether you require it to lift a bowl for a removable bowl mixer or to be built over a fixed bowl mixer, our manufacturing capabilities are adept at accommodating your specific needs. It offer user-friendly operation, making it accessible even for less experienced staff.

MODEL	MIN. CAPACITY	MAX. CAPACITY	MAX. DUMP HEIGHT	MACHINE DIMENSIONS W x D x H	POWER	WEIGHT
BH-TOBM-250	220 lbs	551 lbs	96"	47" x 104" x 71"	208V - 3Ph 60Hz - 3 AMPS	2072 lbs